

Masterfloor Life 8.5

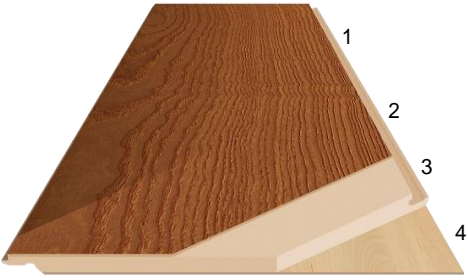
Productdescription: wood floors, lacquered

K 237

Stand: 05.21



System

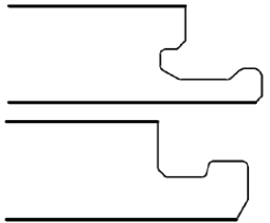


- 1 Multi-layer UV coating
- 2 real wood surface ~ 0,6mm *
- 3 HDF Optima
- 4 real wood balancer ~ 0,6mm

* Real wood floor optional digitally printed.
* Sorting grade: one lengthwise join per panel possible.





4-side micro bevel ~35° / ~0,6mm wide





Profile



Kaindl Loc
profile longitudinal

Fold Down
profile transversal

Moisture residue HDF	EN 322		4 - 7%
Thickness swelling / edge swelling	EN 14354		< 15%
Adhesion of the lacquer	EN 14354		≤ Class 2
Thermal conductivity	ISO 8302		0,0780 m².K/W
Sliding friction μ	EN 13893		> 0,3
Slip resistance USRV	EN 1339:2003		≥ 15
Effect of humidity variations on cupping	EN 14354		max. 0,35 % of width
Lifting resistance	EN 14354		≥ 1,0N/mm²
Cross tensile strength	EN 319		≥ 1,4N
Combustibility	EN 13501-1		Dfl-S1
Indentation resistance	EN 1534		≥ 40 N/mm²
Thickness of an element	EN 14354		nenn. ≤ ± 0,5 mm
Straightness of the panels	EN 14354		≤ 0,30 mm/m
Squared elements	EN 14354		≤ 0,20 mm
Height difference between elements	EN 14354		max. ≤ 0,15 mm
Width of the top layer in the same package	EN 14354		nenn. ≤ 0,1 mm
Cup in width direction	EN 14354		average ≤ 0,24 mm max. ≤ 0,32 mm
Opening between elements	EN 14354		≤ 0,20 mm

Tests		Flooring1 Symbols	Results
Panel dimension			1383x159x8,5mm
Service category per Standard per	ENISO 10874 EN 14354		31
Abrasion resistance annex D	EN 14354		2000 cycles
Impact resistance	EN 14354		EC 2
Formaldehyde emission of the substrate before coating	EN 120 DIBT-Richtlinie 100		E1
Formaldehyde emission	EN 717-1		< 0,1 ppm
	EN 717-2		< 3,5 mg/h m²

All values are approximate values - fluctuations cannot be absolutely ruled out. The performance characteristics of this data sheet excluding Wood Flooring with oiled surfaces !

1)Information under www.floorsymbols.com